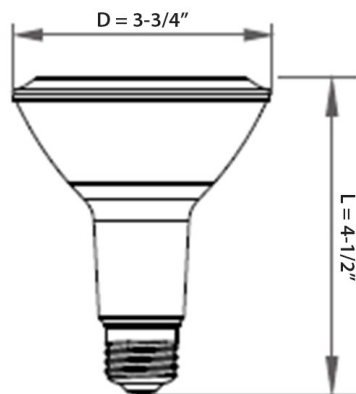




DIMENSIONS:

Ø3-3/4" x 4-1/2"



PAR30-LN-10W-50K-D PAR30-LN-10W-30K-D

PAR30 LONG NECK LED LAMP

Ideal for restaurants, retail stores, showrooms and residential applications. Features built-in extruded aluminum heat sink with heat dissipation fins for superior thermal management.

ELECTRICAL SPECIFICATIONS:

- Input Wattage: 10W
- Voltage: 120VAC 50/60Hz
- Power factor: >0.9
- Efficacy: 80LM/W ~ 90LM/W

HOUSING SPECIFICATIONS:

- Operating temperature: -4°F~104°F
- Lifespan: 50000 Hrs.
- IP Rating: IP65, Wet Locations

CERTIFICATIONS: UL



MODEL	WATTS	VOLTAGE	LUMENS	COLOR TEMP
PAR30-LN-10W-50K-D	10W	120V AC	900 LM	5000K
PAR30-LN-10W-30K-D	10W	120V AC	800 LM	3000K

LIGHTING SPECIFICATIONS:

- Dimming: Dimmable
- LED Type: Cree COB
- Total lumens: 800LM and 900LM
- Color temperature: 3000K / 5000K
- Color rendering index: >90
- Beam angle: 40°

WARRANTY: 5 years

PHOTOMETRICS:

